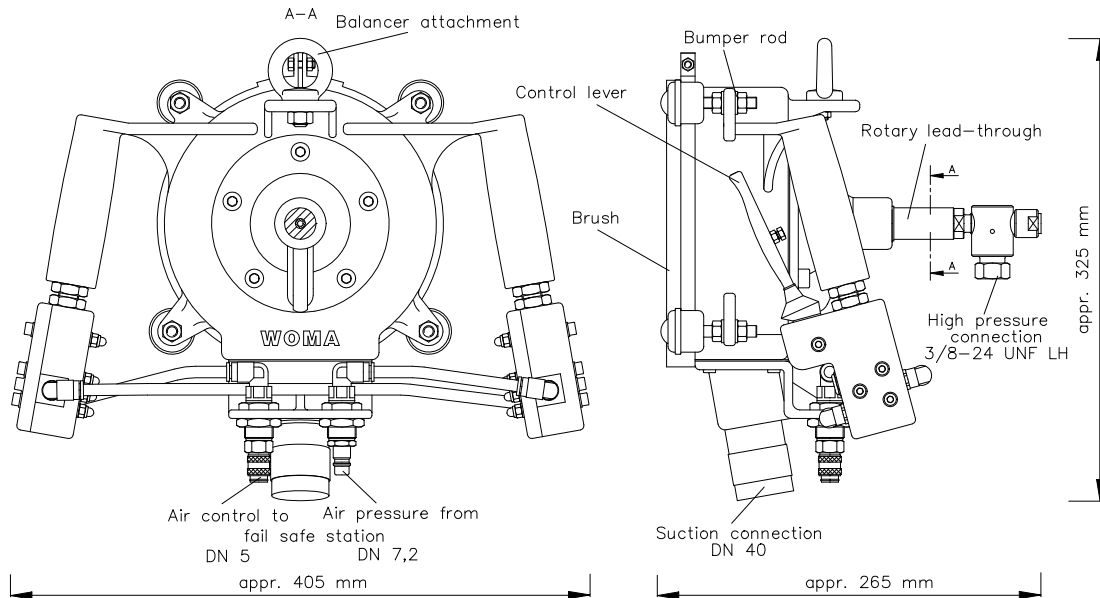


Eco Top Rotating Cleaner ETRC 2100-3-PN for pneumatic control



Description:

The ETRC 2100-3-PN is a high production hand held tool for the cleaning and removal of paint coatings from large flat areas.

Advantages:

The ETRC is delivered vacuum ready for full recovery of water and debris eliminating environmental concerns.

All parts subject to pressure are made of high-tensile stainless steel.

The ETRC can be retrofitted to accept WOMA form 9 fan jet nozzles with retrofit kit PN: 010.8688 (max. 2000 bar).

Optimum jet stream when using nozzle form 21LL (LL=LongLife) see product sheet D-21LL-3000.

Operating information:

The rotary operation is not supposed to run without water for longer than 15 sec.

Accessories

Balancer (weight counter balancer) PN 320.3876 see page 2

Technical data:

ETRC 2100-3-PN	
Part-No.	001.1237
Operating pressure max.	2100 bar
Working width appr.	180 mm
Weight appr.	9,2 kg
Rotating speed	2500 rpm
No. of nozzles max.	4 pieces

Recommended nozzle diameters at:

2000 bar and 20 l/min
4 x 0,40mm Form 21LL TN 344.2105

When using nozzle form 21 sapphire, the nozzle diameters must be 0.05mm larger than that of nozzle form 21 LL.

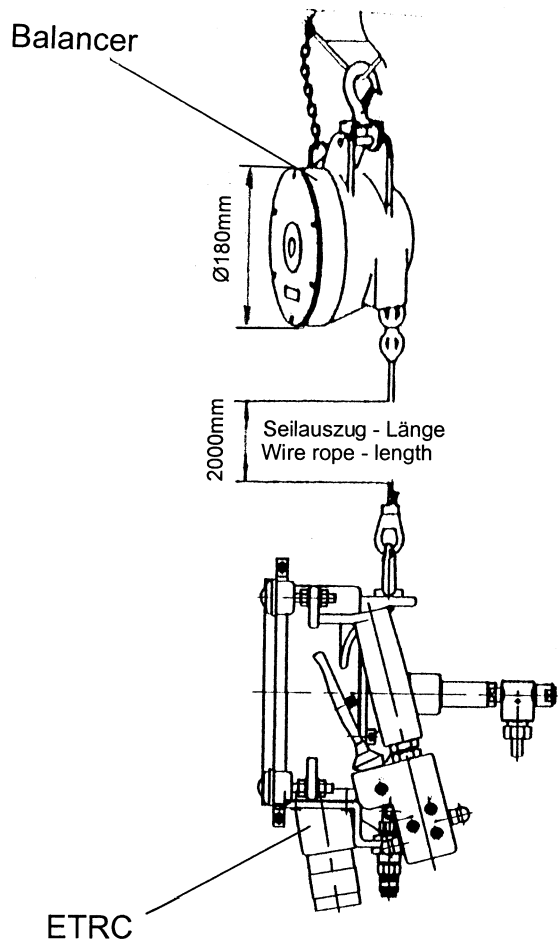
Eco Top Rotating Cleaner Accessories:

Description:

The balancer (Weight counter balance) extends from a cable reel. This cable reel provides constant tension on the entire cable length so that the ETRC is maintained in the desired position. By using the balancer the operator can work effortlessly for long periods.

Advantages:

The automatic locking device has a premature retraction stop at predetermined positions, when the ETRC is slowly retracted. The locking device is not actuated, when the ETRC is retracted quickly. An increase in production is obtained, since the ETRC does not need to be returned to its home position between operational steps.



Technical data:

Balancer

Part-No.:	320.3876
Load:	9 – 14 kg
Wire rope length:	2000 mm
Weight:	3,6 kg